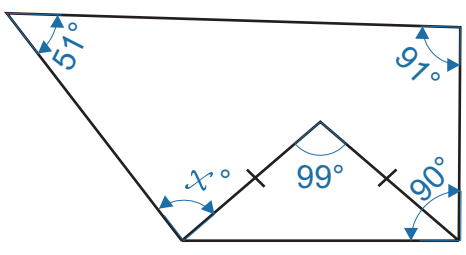
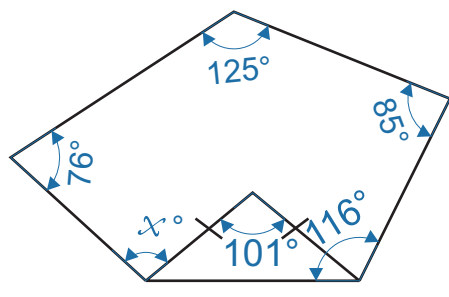
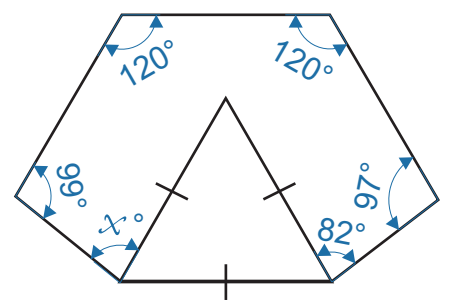


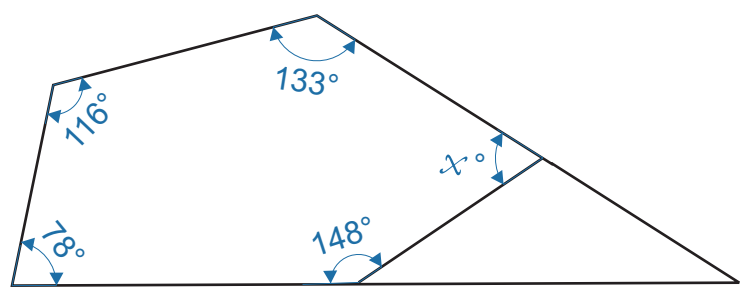
Geometry

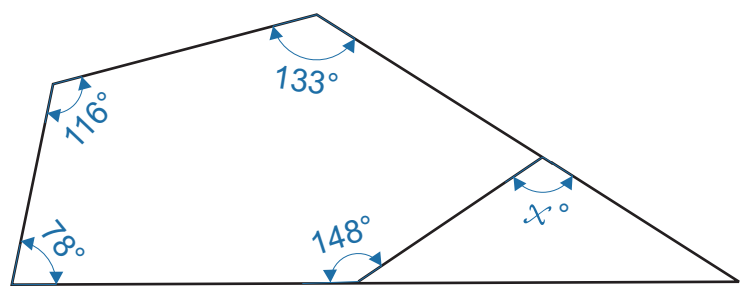
Find the value of x in each shape

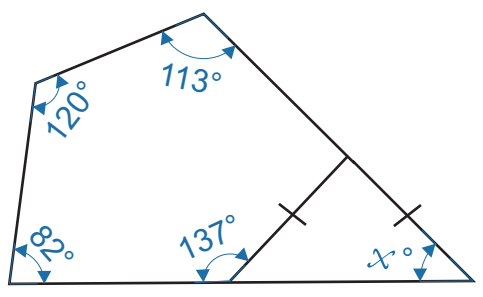


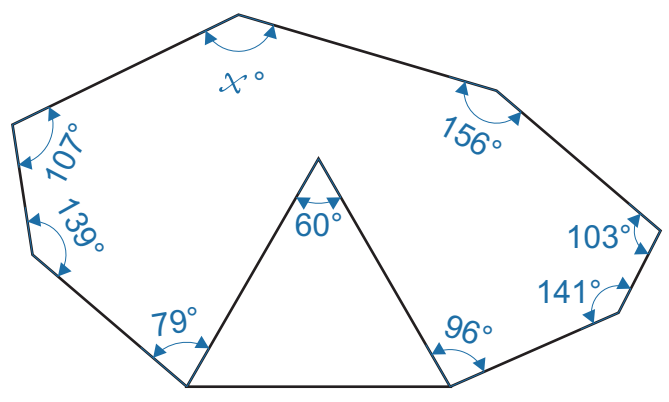


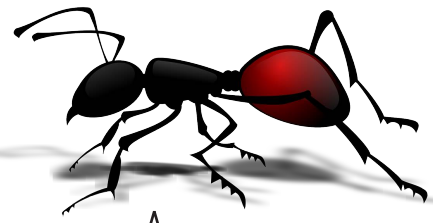












Geometry

Find the value of x in each shape

