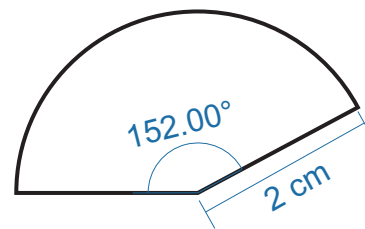
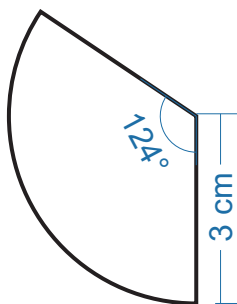
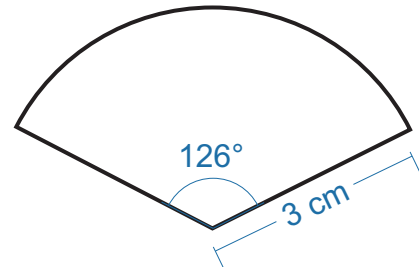
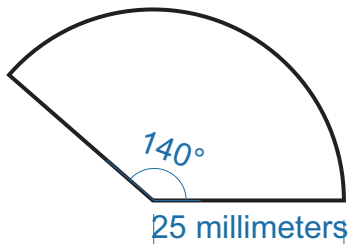
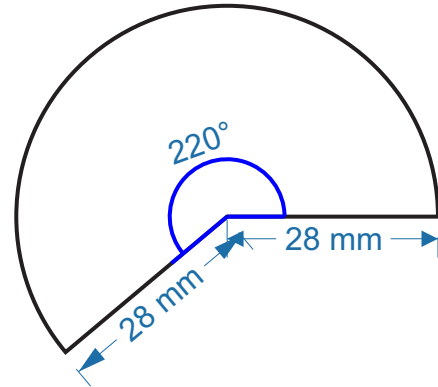
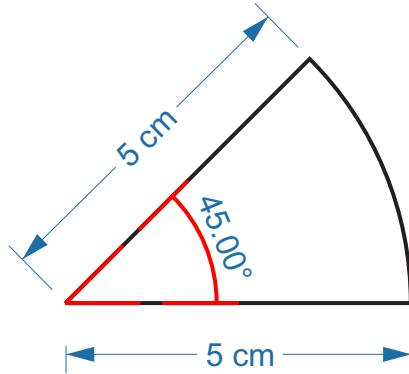




Calculate Length of Each Arc

A sector is a part of a circle formed by two radii and part of the circumference between them. Arc is the curved part of the sector.

$$\text{Length of an arc} = \frac{\theta}{360} 2\pi r$$





Calculate Length of Each Arc

$$\text{Length of an arc} = \frac{\theta}{360} 2\pi r$$

