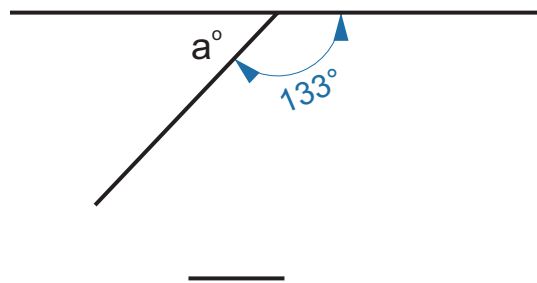
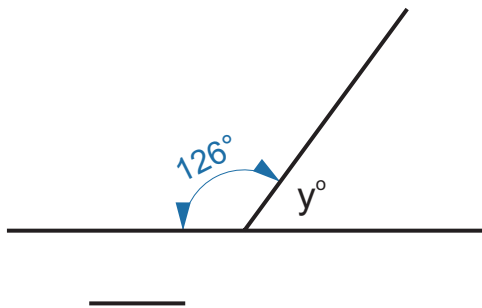
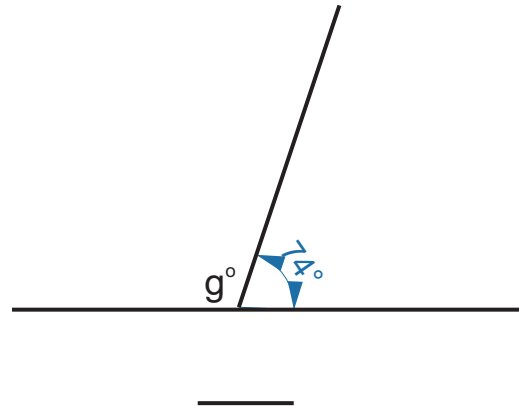
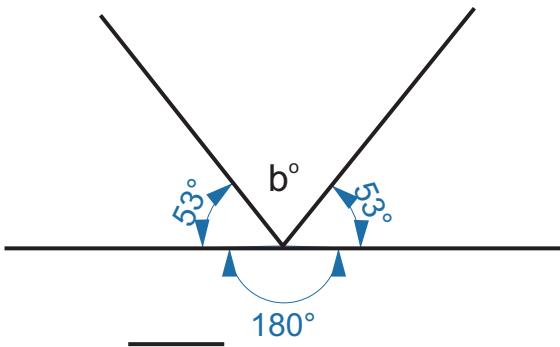
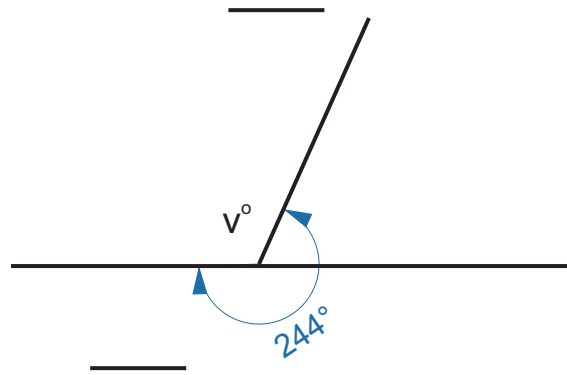
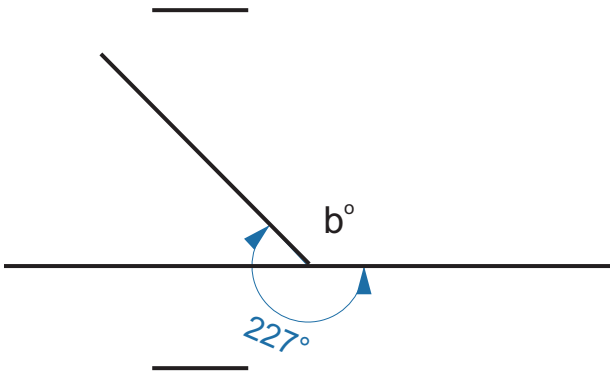
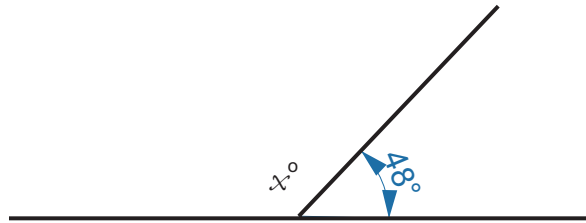
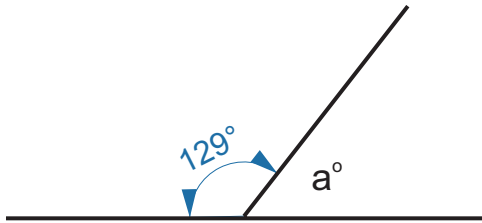


Geometry

Find the Value of Pronumerals in Each of the Following



Geometry

Find the Value of Pronumerals in Each of the Following

