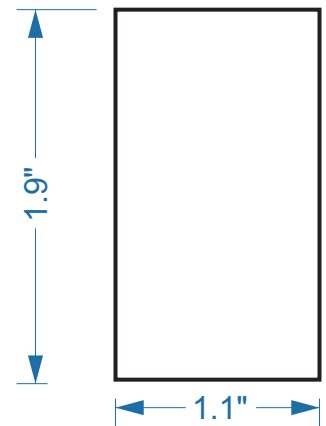
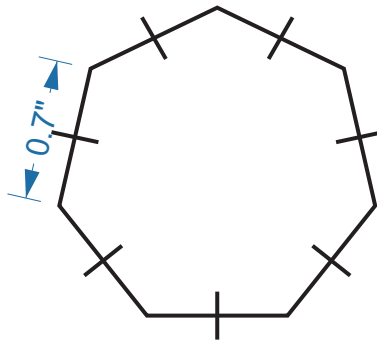
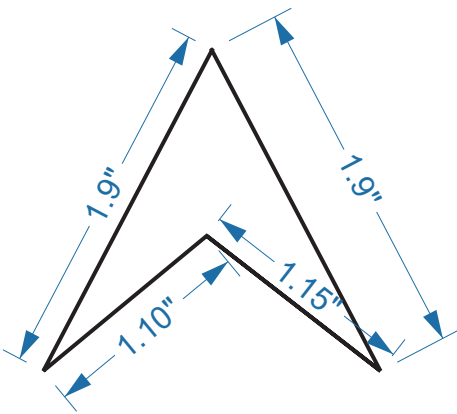
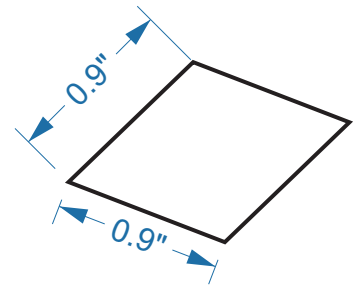
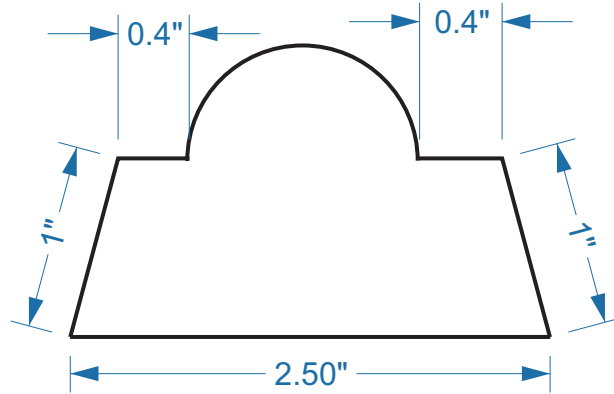
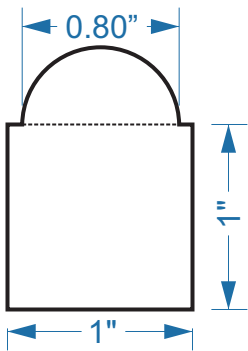
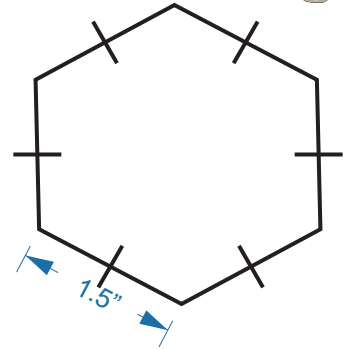
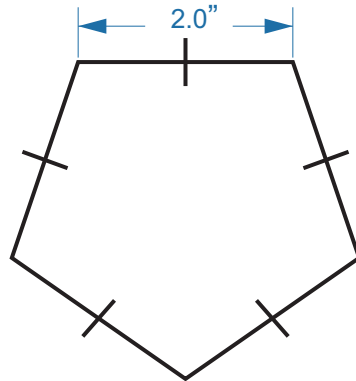
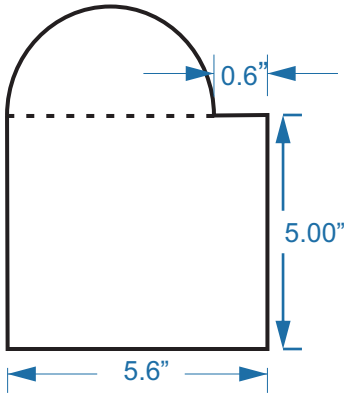


Measurements

Find the perimeter of the following figures.



Measurements

Find the perimeter of the following figures.

